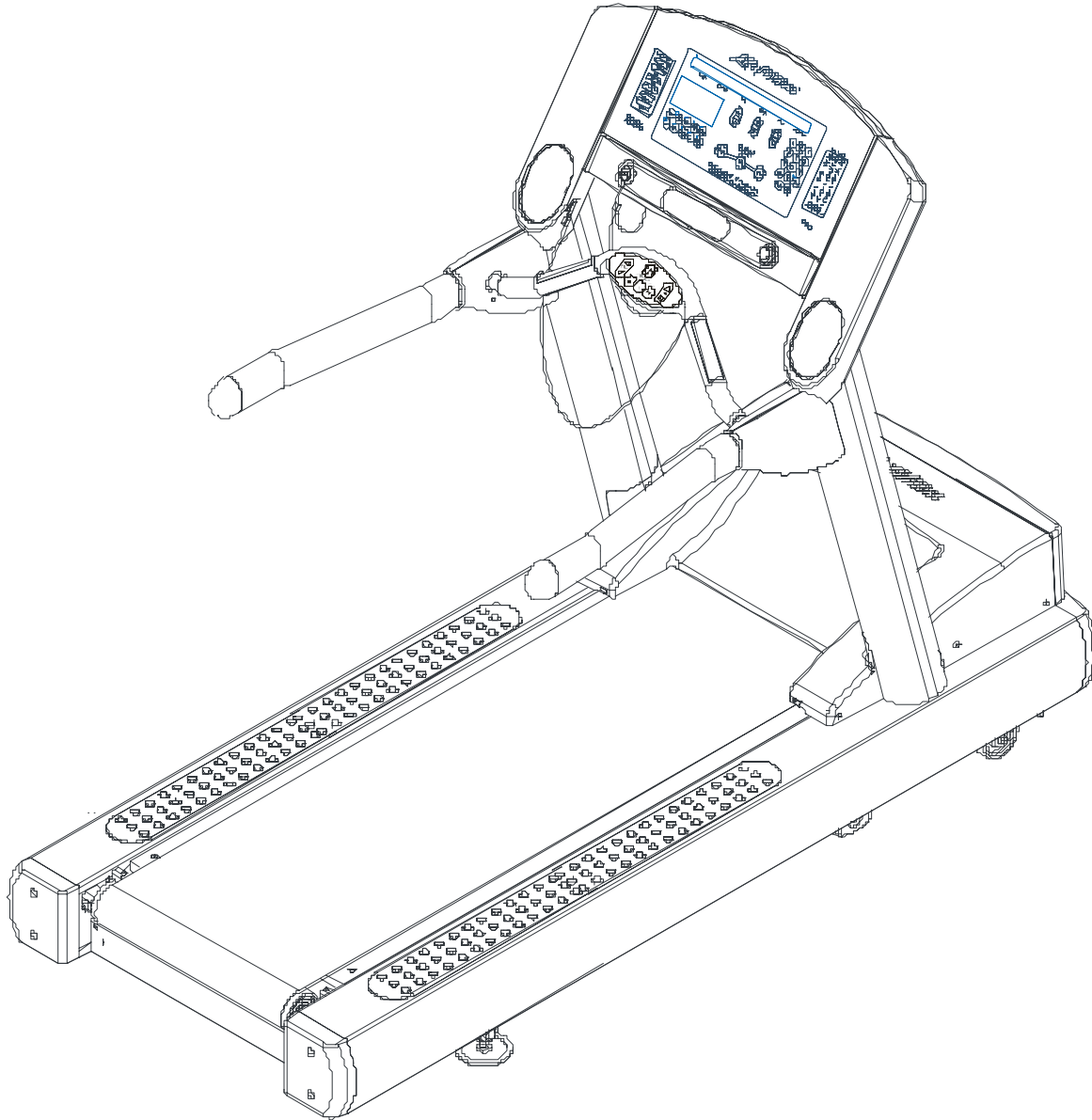


LifeFitness

ARCTIC SILVER T9-0XXX-04 TREADMILL



Customer Support Services
PARTS MANUAL

rev 29 May 2008

<i>ARCTIC SILVER T9</i>	<i>T9-0XXX-04</i>
CONTENTS	S/N TTX100000 and up

REFERENCES 3

CONSOLE ASSY & OVERLAY 5

CONSOLE COMPONENTS 6

UPRIGHTS & HANDRAILS 7

ERGO BAR with Life Pulse 8

ACTIVITY ZONE ASSEMBLY 9

REAR ENDCAPS, CUP HOLDERS & ANTI-SLIPS PADS 10

MOTOR COVER, FRONT COVER & ENDCAPS 11

ON-OFF SWITCH & GROMMETS 12

BELT, DECK & REAR ROLLER 13

LIFT MOTOR & FRAME - 120V UNITS 14

LIFT MOTOR & FRAME - 200-240V UNITS 15

LEG LEVELER ASSEMBLY 16

FRONT ROLLER ASSEMBLY 17

DRIVE MOTOR ASSEMBLY 18

DSP-CONTROLLER ASSEMBLY 19

LINE-CORDS & LINE-CORD OPTIONS 20

CABLES FOR UNITS BETWEEN 0100 - 0104 21

ARCTIC SILVER T9	T9-0XXX-04
REFERENCES	S/N TTX100000 and up

PLEASE NOTE:
ALL OPERATION, INSTRUCTION ASSY & INSTRUCTION BAG ASSY MAY NOT AVAILABLE

LANGUAGE	OPERATION MANUAL	INSTRUCTION ASSEMBLY	INSTRUCTION BAG ASSY.	SERVICE MANUAL
T9-0100-04	M051-00K60-A091	M051-00K60-B059	AK60-00219-0000	TBA
T9-0101-04	M051-00K60-A091	M051-00K60-B059	AK60-00219-0004	TBA
T9-0102-04	M051-00K60-A091	M051-00K60-B059	AK60-00219-0004	TBA
T9-0104-04	M051-00K60-A091	M051-00K60-B059	AK60-00219-0004	TBA

AK60-00173-0000	HDWR-BAG ASSY: MFG; T9i	
Item	Description	Qty
0K58-01305-0002	PLUG: UPRIGHT S/C-C	2
0K58-01347-0000	GASKET: ERGOBAR C	2
0017-00009-1049	WRENCH: TORX; T27 B	1
0017-00042-0326	GROMMET: PLASTI; .130/.005 S/C#13-B	2
0017-00042-0840	CLIP: WIRE; PUSH-MTG; 3/4"; S/C#80-B	5
0017-00101-1770	8-15X 8 PHL PAN A SS NO B	6
0017-00101-1772	10-16X 8 PHL PAN B ST ZS B	6
0017-00101-1773	1/4 -20X 8 TRX BUT CS SS NO B	6
0017-00101-1774	5/16-18X40 TRX FLT CS ST ZS B	4
0017-00101-1778	1/2 -13X16 UNS HEX CS G5 ZB B	4
0017-00101-1780	8- X20 PHL TRS AB SS NO B	8
0017-00104-0325	WSH 516-.873-125 SL-D ST ZN B	4
0017-00103-0327	NUT 5/16-18 HEX; JAM D ST ZS B	4
118E-00001-0135	TRANSMITTER: POLAR; T31 C	1
118E-00001-0136	STRAP: POLAR; MEDIUM S/C#2-C	1

ARCTIC SILVER T9	T9-0XXX-04
REFERENCES - CONTINUED	S/N TTX100000 and up

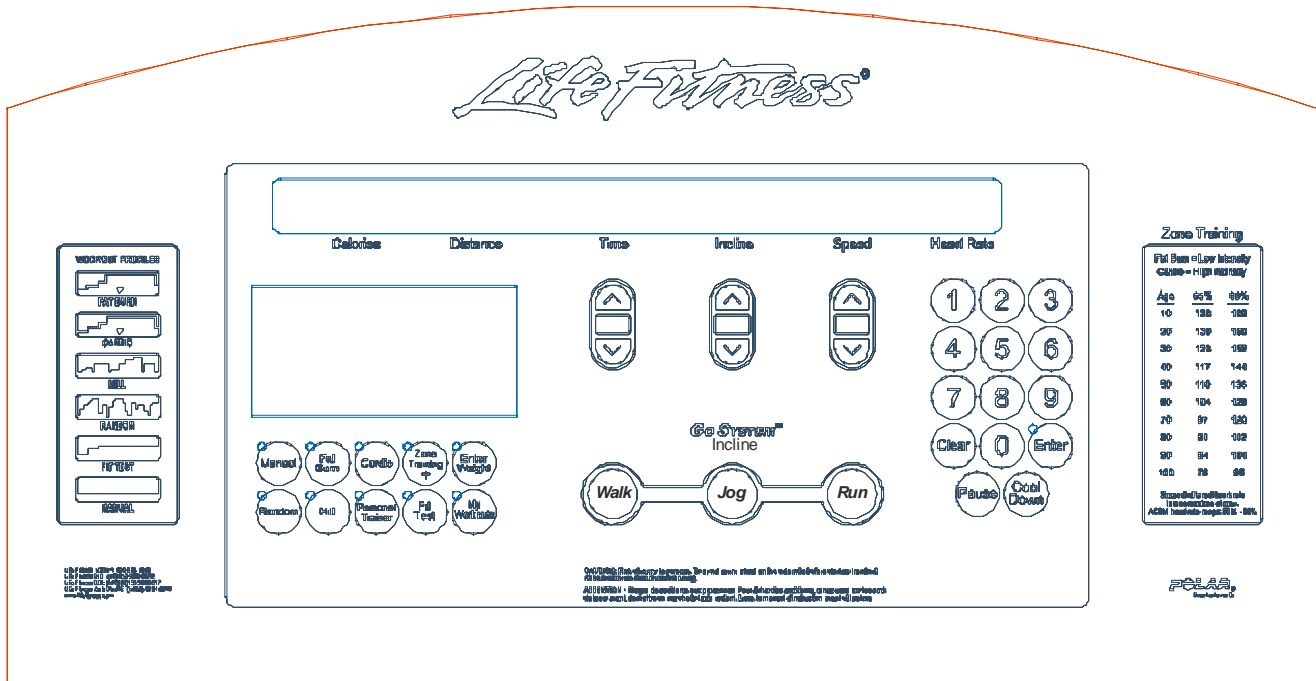
GK58-00002-0095	KIT: SERV; ROLLER-GUARDS; 93/95Ti BM	
" Parts that are included in this kit is as follows "		
Part Number	Description	Qty
AK58-00360-0001	GUARD-ASSY: MFG; RT; 3.50 B	1
AK58-00360-0002	GUARD-ASSY: MFG; LT; 3.50 B	1
Only available in the kit	INSTR: SERV; ROLLER-GUARDS +	1
0017-00042-0326	GROMMET: PLASTI; .130/.005 S/C#13-B	2
0017-00042-1147	GROMMET: NYLON; SCREW B	2
0017-00101-1776	10-16X 8 PHL PAN B ST ZB B	4

GK58-00002-0071	KIT: SERV; ANTI-SLIP RAIL BM	
" Parts that are included in this kit is as follows "		
Part Number	Description	Qty
Only available in the kit	INSTR:TEMPLT; ANTI-SLIP RAIL B	4
Only available in the kit	INSTR: KIT; ANTI-SLIP RAIL +	1
OK58-01376-0000	RAIL: ANTI-SLIP;STEALTH-GREY E	2
Only available in the kit	PAD: WIPE; ALCOHOL/DRY B	1

TOUCH UP PAINT:	
0017-00008-0204	PAIN: CAN; SPRAY; ARCTIC SILVER
0017-00008-0205	PAIN: BOTTLE; ARCTIC SILVER (.5 OZ)
0017-00008-0206	PAIN: PEN; ARCTIC SILVER (.33 OZ)

INK TRANSFER TOUCH-UP PAINT: SB No. GN05032101N	
0017-00008-0210	PAIN: TOUCH-UP; SHADOW-GRAY; .6 OZ BTL.
0017-00008-0211	PAIN: TOUCH-UP; SHADOW-GRAY; .6 OZ. PEN

ARCTIC SILVER T9	T9-0XXX-04
Console Assy. & Overlay	S/N TTX100000 and up



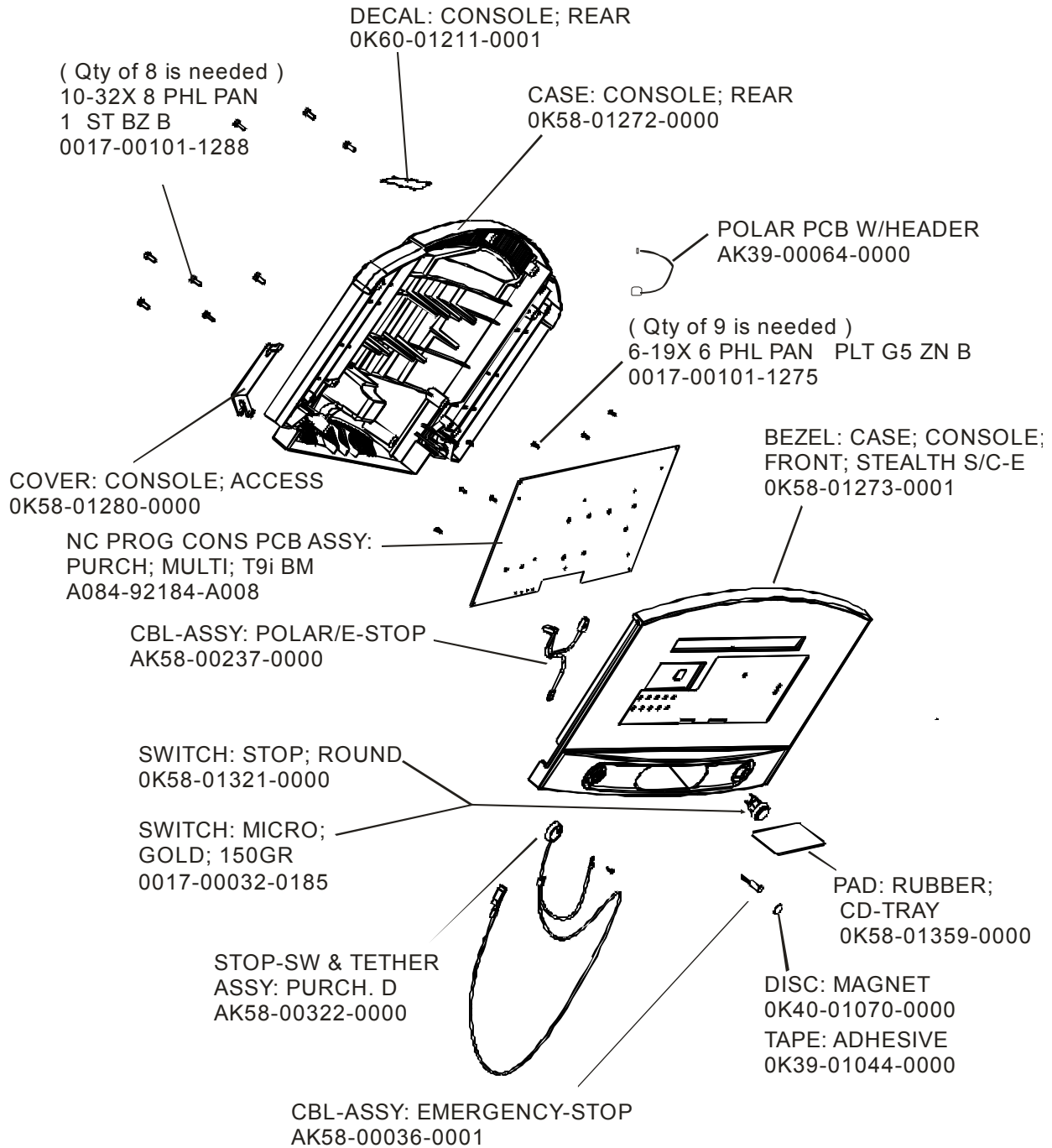
LANGUAGE	CONSOLE	OVERLAY
T9-0100-04	AK60-00217-0001	0K58-01488-0001
T9-0101-04	AK60-00217-0002	
T9-0102-04		
T9-0104-04		

ARCTIC SILVER T9

Console Components

T9-0XXX-04

S/N TTX100000 and up

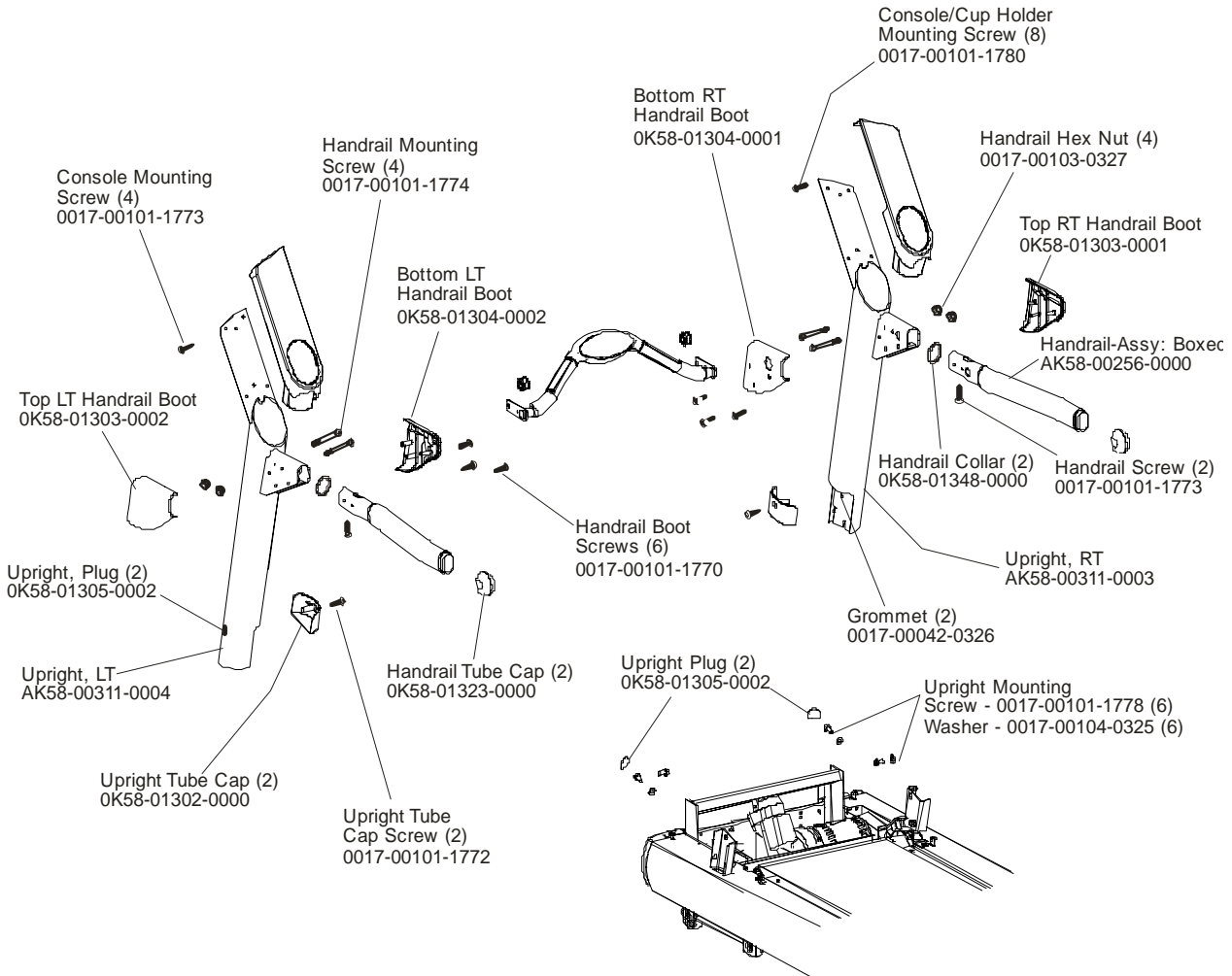


ARCTIC SILVER T9

T9-0XXX-04

Uprights & Handrails

S/N TTX100000 and up

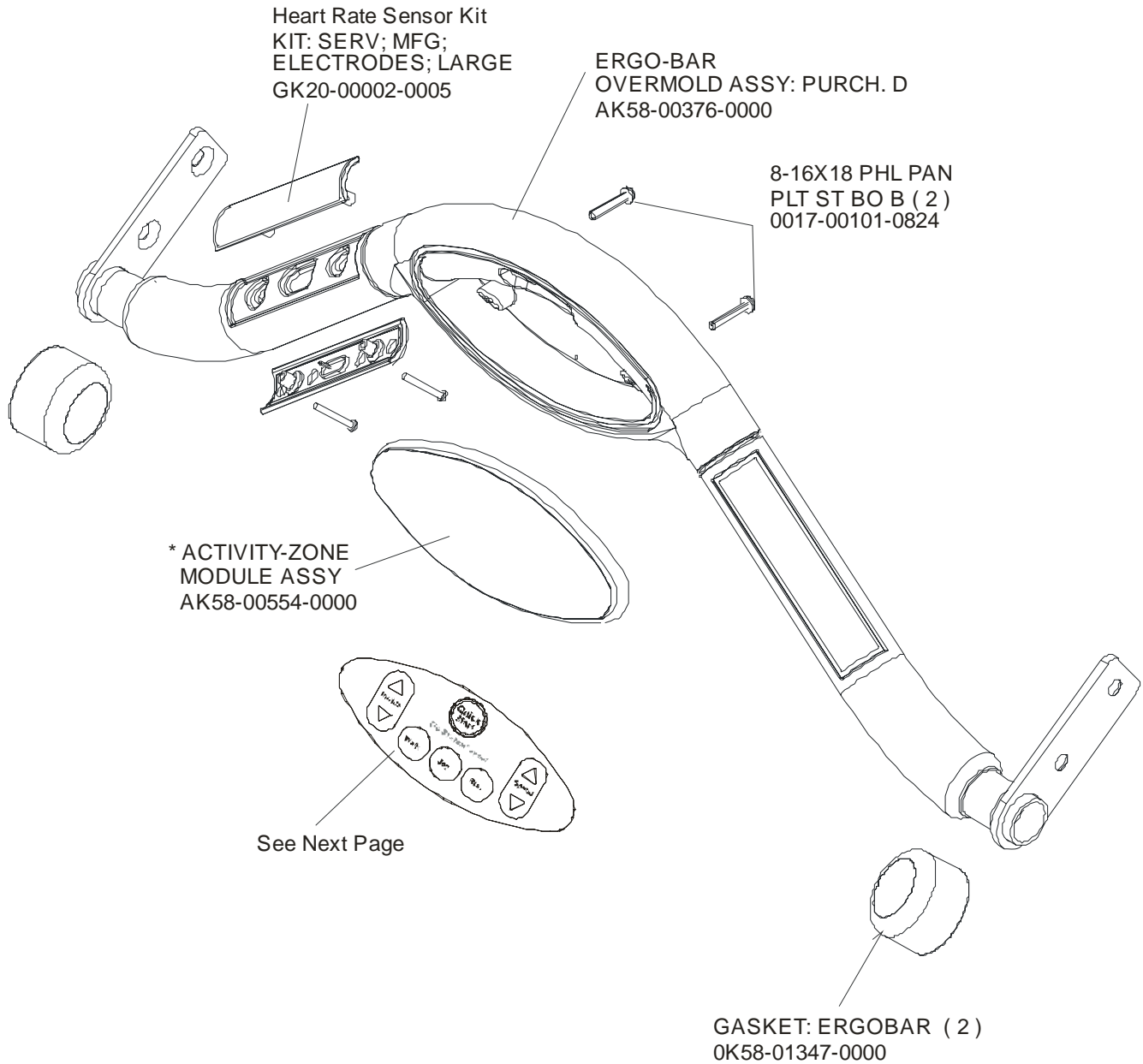


ARCTIC SILVER T9

T9-0XXX-04

ERGO BAR with Life Pulse - AK60-00216-0000

S/N TTX100000 and up



<i>ARCTIC SILVER T9</i>	<i>T9-0XXX-04</i>
Activity Zone Assembly	S/N TTX100000 and up



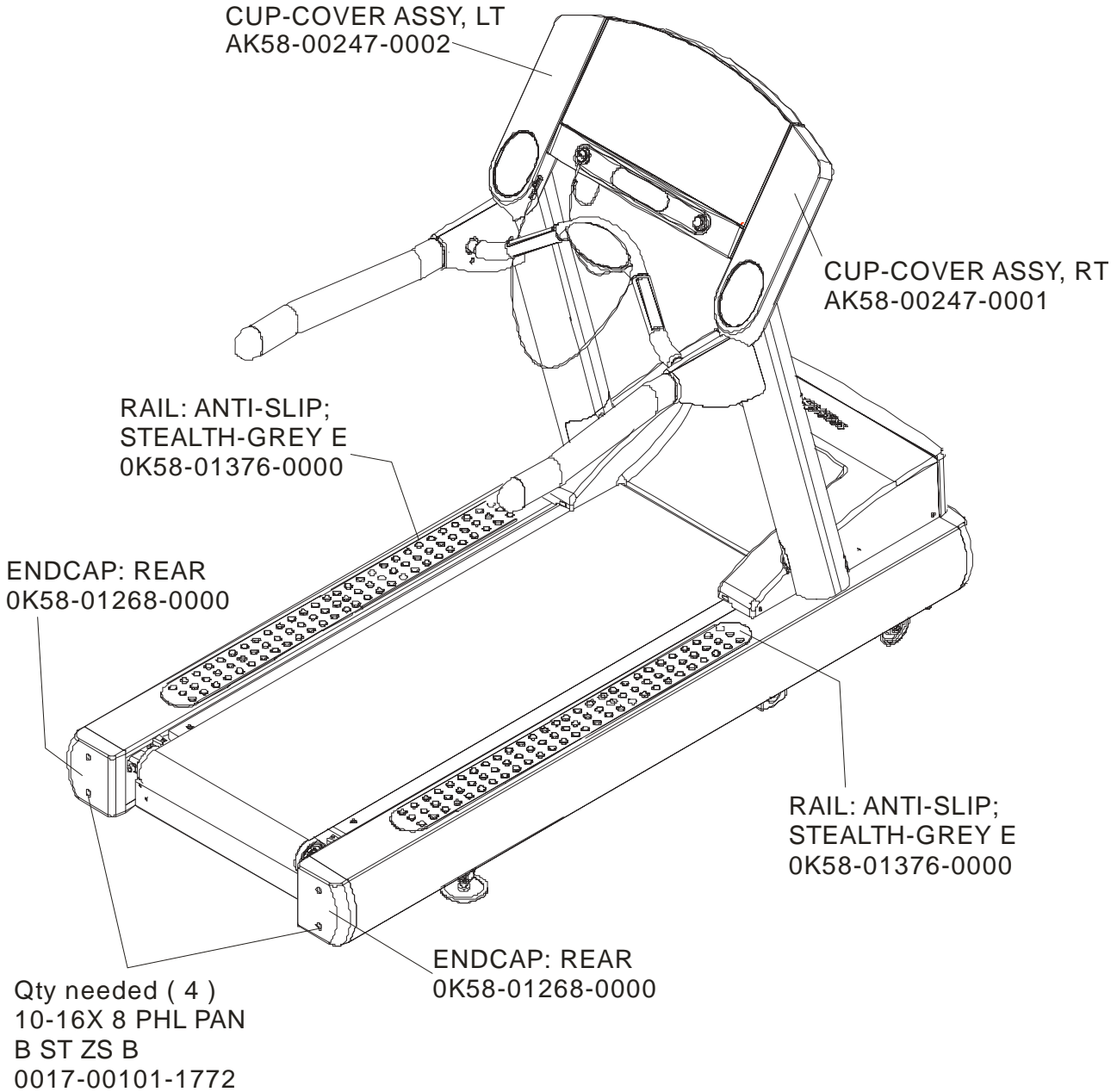
LANGUAGE	A-Z MODULE W/OVERLAY ASSY	AZ OVERLAY
ENG/ENG	AK60-00224-0001	0K58-01459-0001

ARCTIC SILVER T9

T9-0XXX-04

Rear End Caps, Cup Holders & Anti-Slip Pads

S/N TTX100000 and up

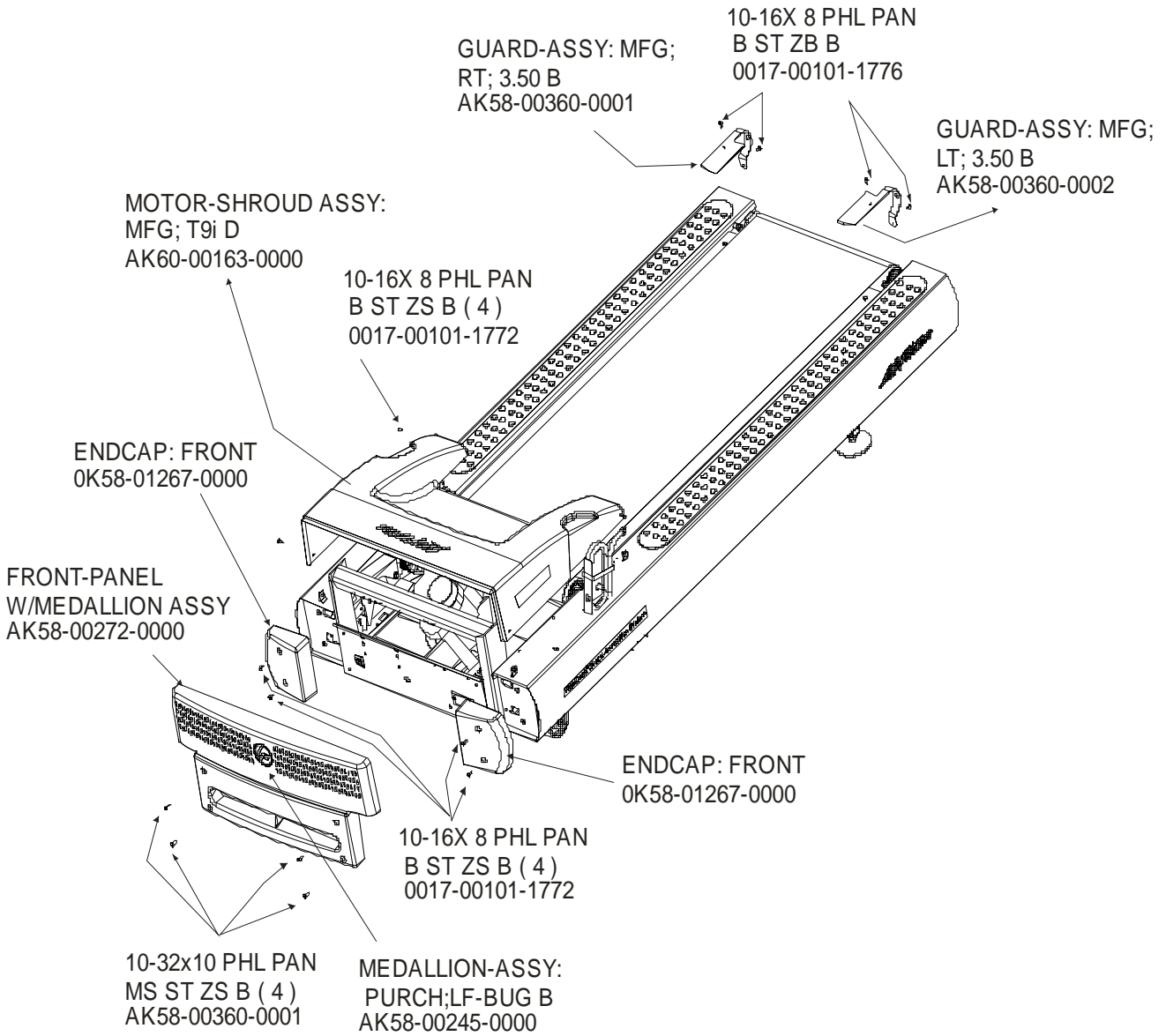


ARCTIC SILVER T9

T9-0XXX-04

Motor Cover, Front Cover & Front End Caps

S/N TTX100000 and up

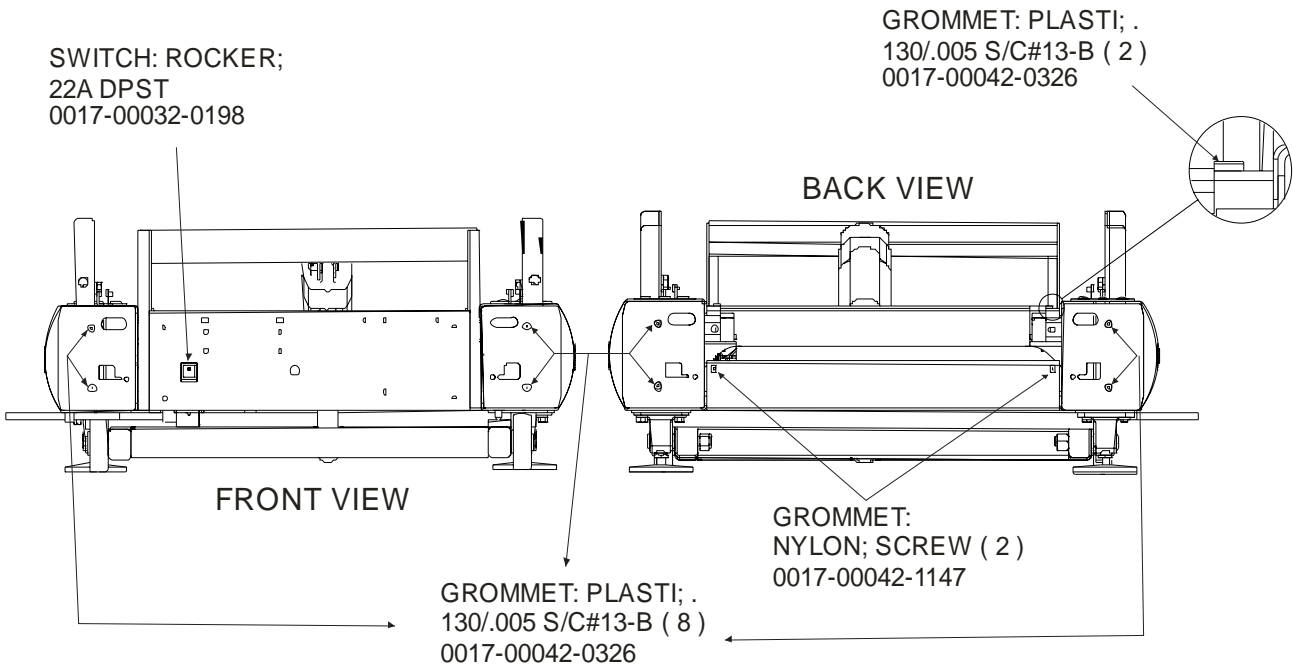
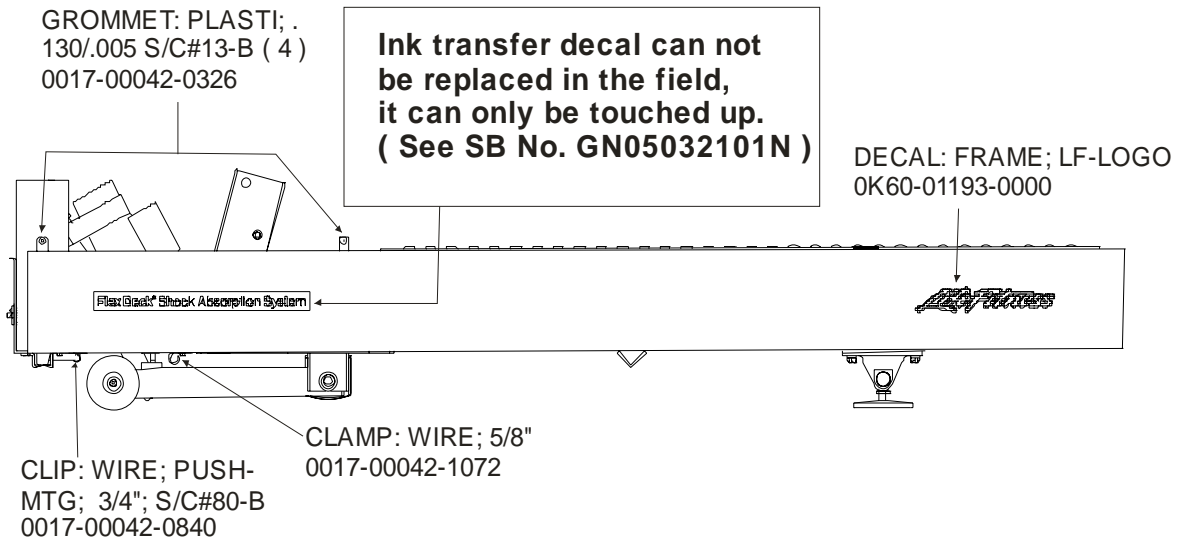


ARCTIC SILVER T9

T9-0XXX-04

On-Off Switch & Grommets

S/N TTX100000 and up

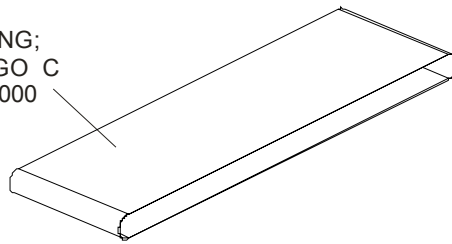


ARCTIC SILVER T9

Belt, Deck, Rear Roller & Drive Belt

T9-0XXX-04
S/N TTX100000 and up

BELT: WALKING;
LUBE; W/LOGO C
OK60-01206-0000

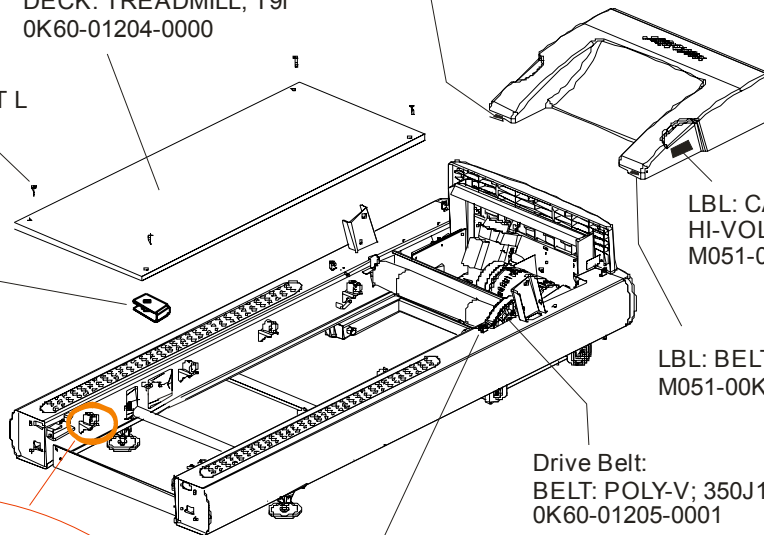


LBL: BELT-LIMIT; LT.
M051-00K58-A101

DECK: TREADMILL; T9i
OK60-01204-0000

1/4 -20x20 HXS FLT L
CS ST ZB B (4)
0017-00101-1775

NUT 1/4 -20 TINNEMAN
D ST ZN B (4)
0017-00103-0198



LBL: CAUTION;
HI-VOLT;ENG+FRN B
M051-00K58-A014

LBL: BELT-LIMIT; RT.
M051-00K58-A100

Drive Belt:
BELT: POLY-V; 350J12; 35.00" B
OK60-01205-0001

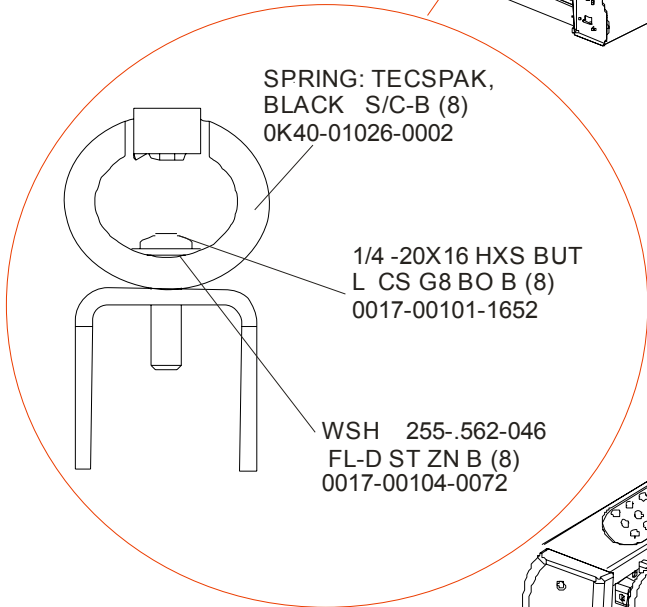
BRUSH: ANTI-STATIC B
OK58-01263-0001

10-32X 6 SLT HXW L TT G5 ZD B
0017-00101-1193

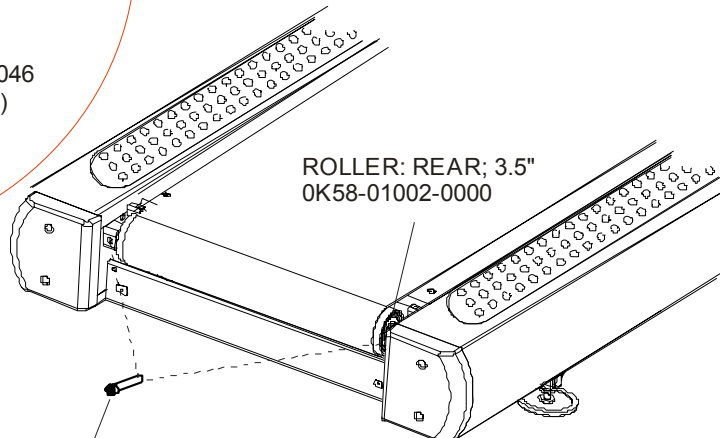
SPRING: TECSPAK,
BLACK S/C-B (8)
OK40-01026-0002

1/4 -20X16 HXS BUT
L CS G8 BO B (8)
0017-00101-1652

WSH 255-.562-046
FL-D ST ZN B (8)
0017-00104-0072



ROLLER: REAR; 3.5"
OK58-01002-0000



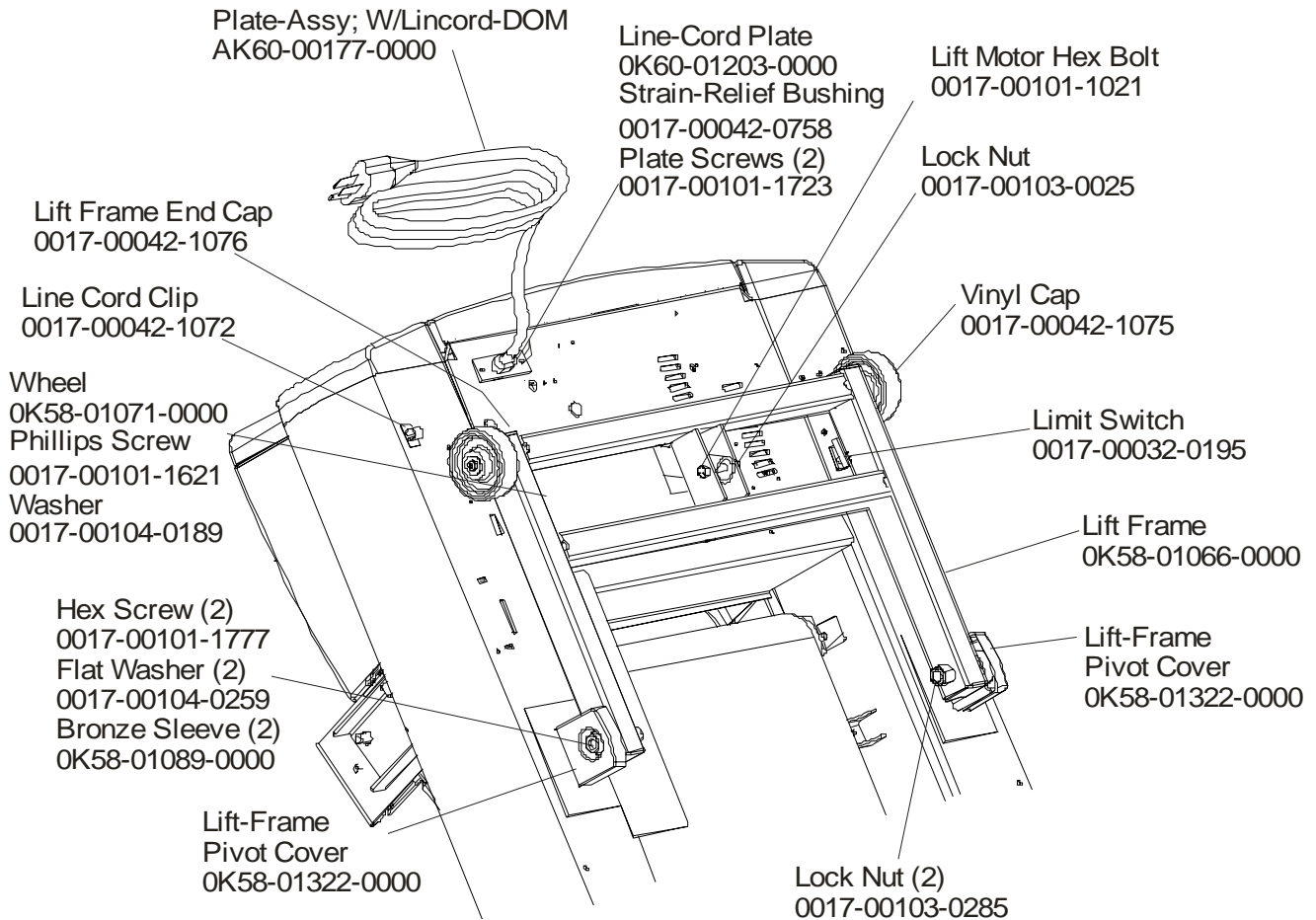
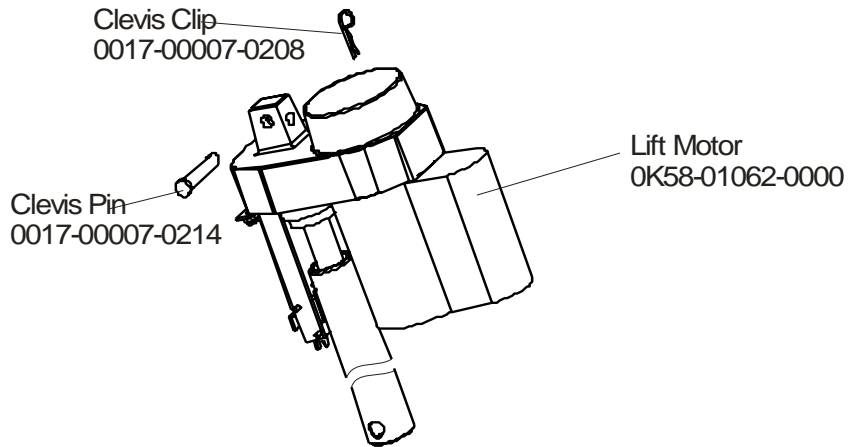
Rear Roller Adjusting Bolt (2)
3/8 -16X48 HEX SOC L CS ST SS B
0017-00101-1880

ARCTIC SILVER T9

T9-0XXX-04

Lift Motor & Frame - Domestic

S/N TTX100000 and up

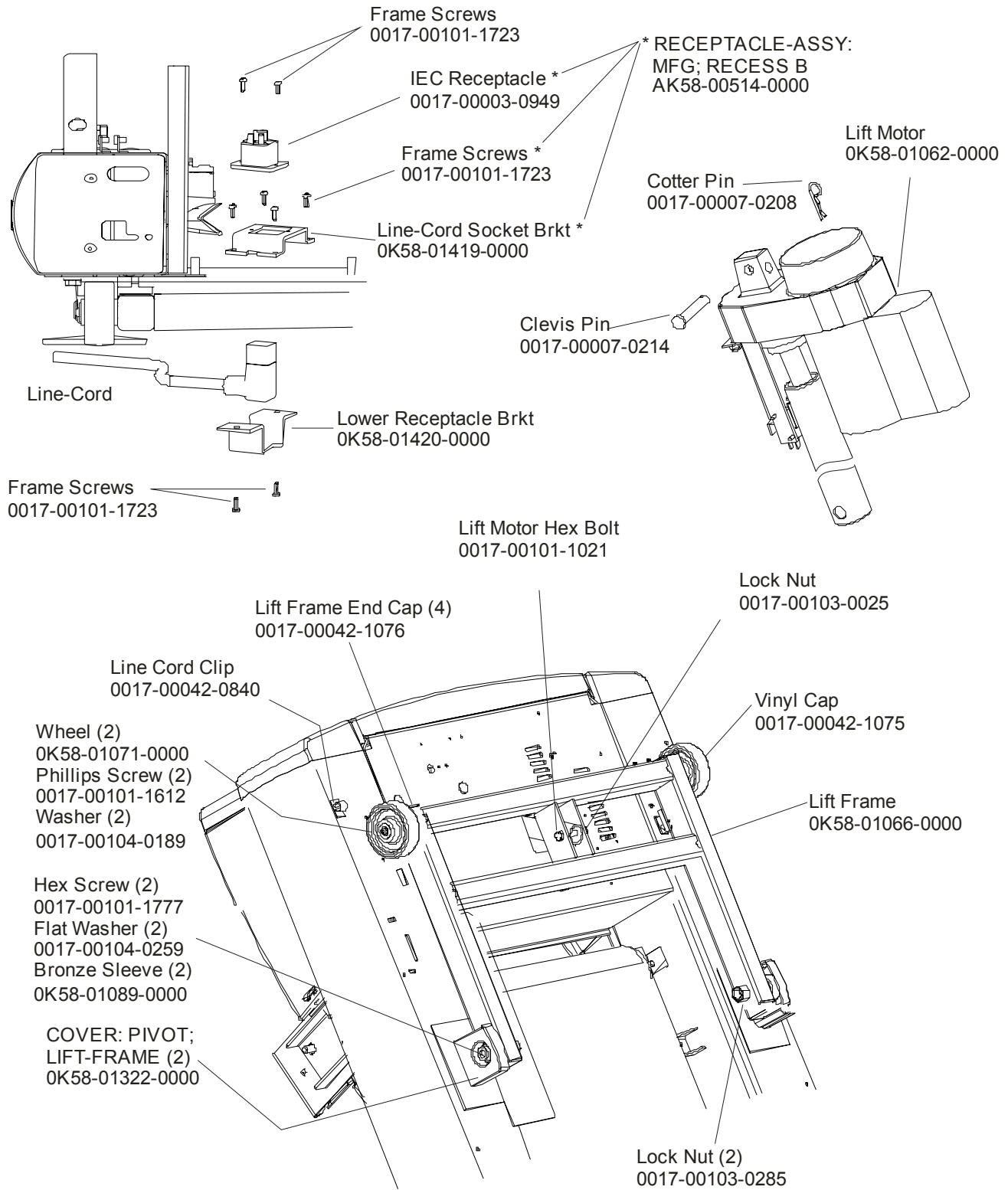


ARCTIC SILVER T9

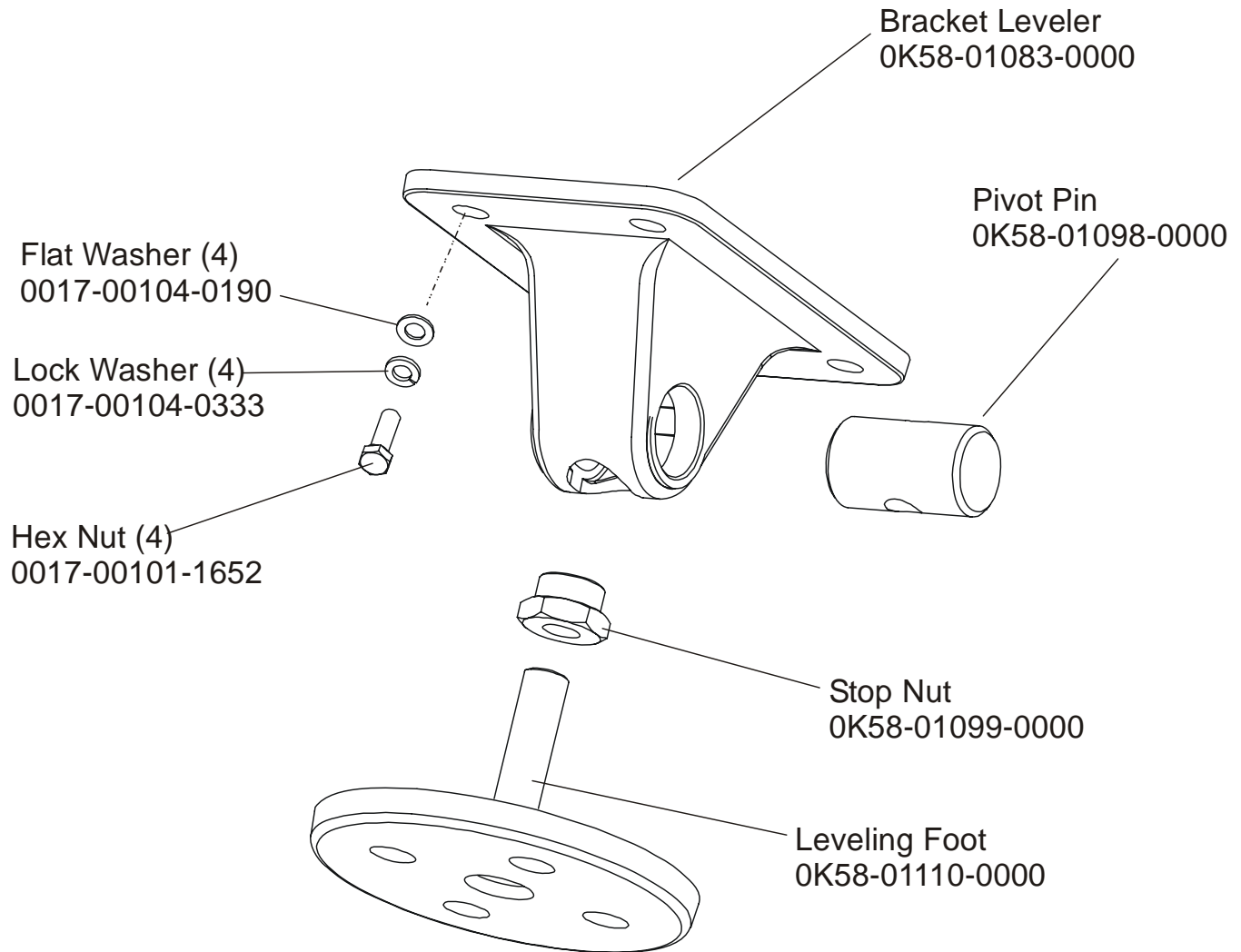
Lift Motor & Frame - International

T9-0XXX-04

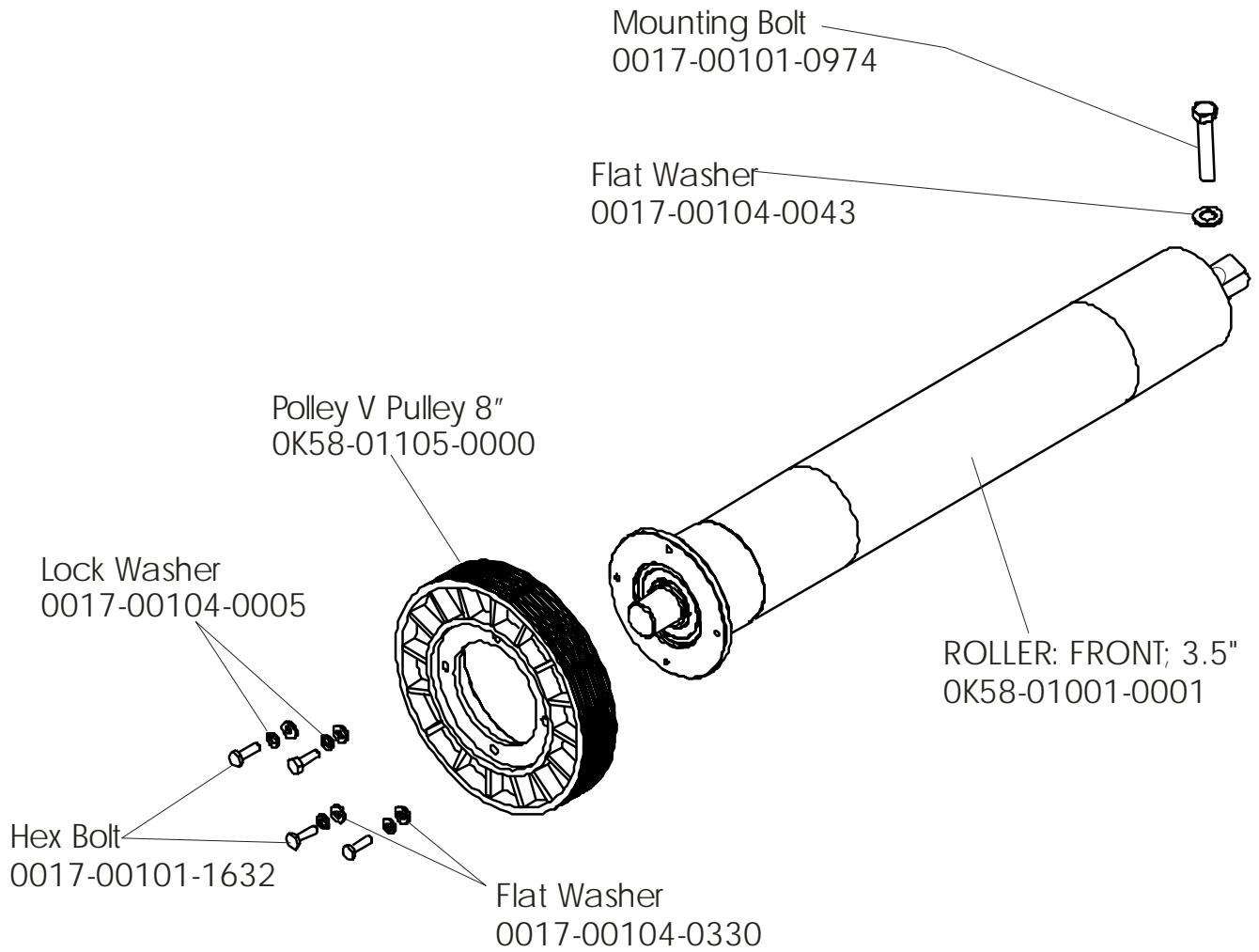
S/N TTX100000 and up



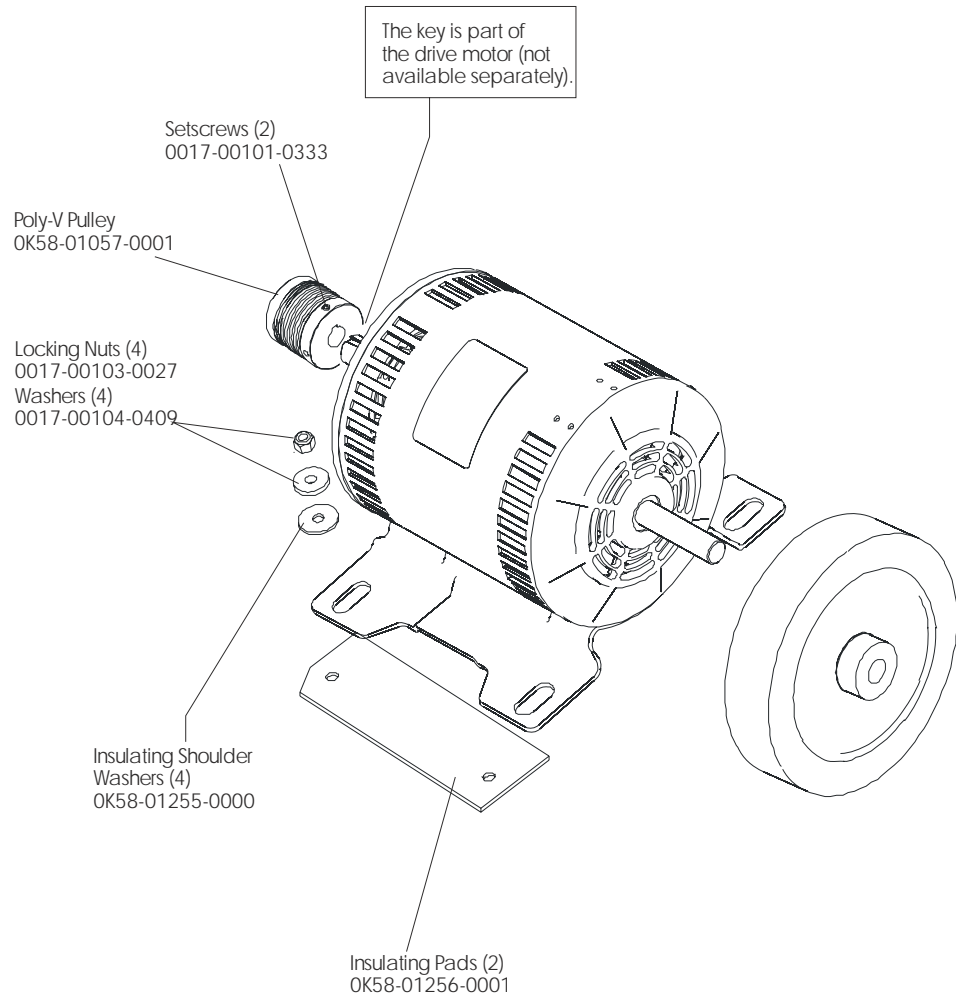
ARCTIC SILVER T9	T9-0XXX-04
Leg Leveler Assembly - AK58-00370-0000	S/N TTX100000 and up



ARCTIC SILVER T9	T9-0XXX-04
Front Roller Assy.- AK58-00066-0000	S/N TTX100000 and up



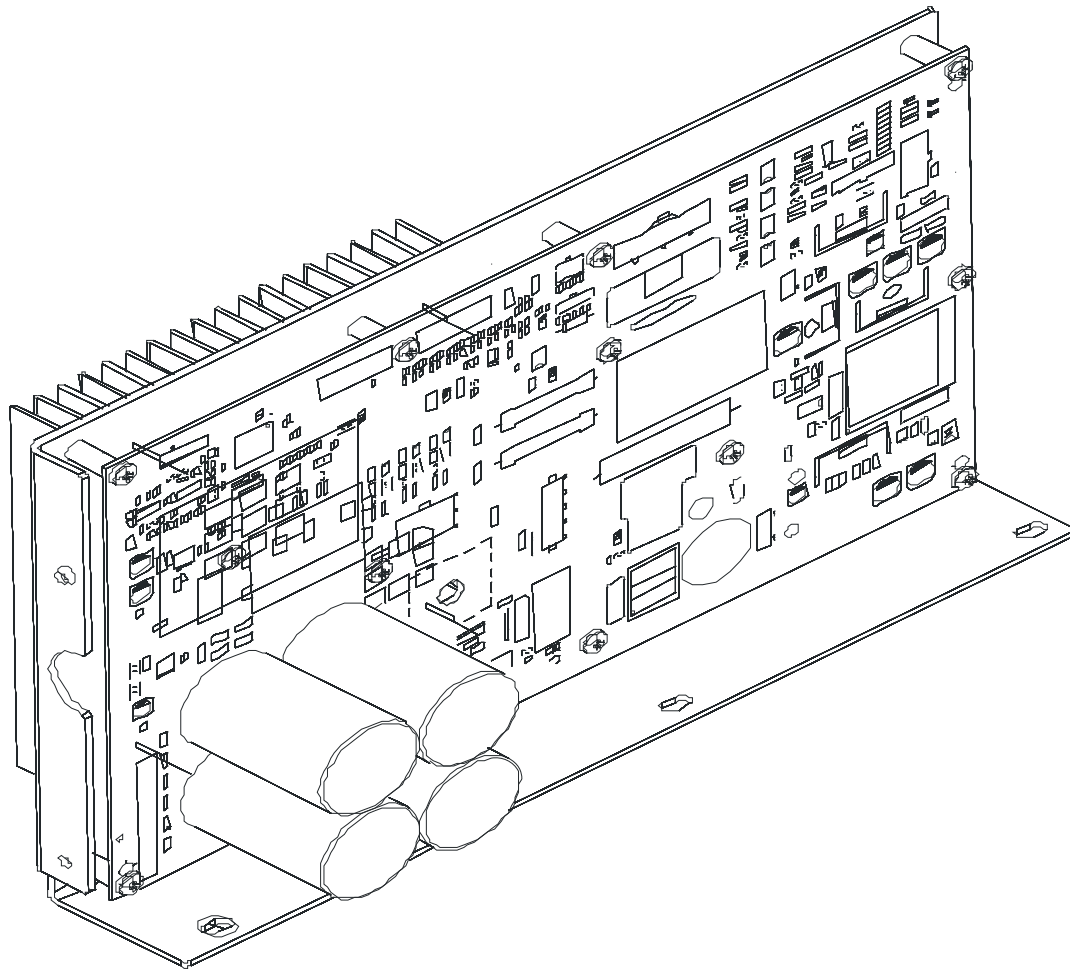
ARCTIC SILVER T9	T9-0XXX-04
Drive Motor Assembly	S/N TTX100000 and up



Description	Part Nos.	
	S/N TTX100000–TTX100021	S/N TTX100022 and up
Drive Motor Assembly	AK58-00171-0001 (dual cable)	AK60-00168-0001 (tapered shaft)
Cast Iron Flywheel	OK58-01092-0002	OK58-01092-0004
Drive Motor Setscrews/Bolt	0017-00101-0975 (uses setscrews)	0017-00101-1885 (uses bolt)

Ref: technical bulletin TR07060101N

<i>ARCTIC SILVER T9</i>	<i>T9-0XXX-04</i>
DSP-Controller Assy.	S/N TTX100000 and up



VOLTAGE	PART NUMBER	PART DESCRIPTION
100-120	GK58-00002-0118	KIT: SERV; MFG; DSP CONTROLLER 100-120; LED
200-240	GK58-00002-0120	KIT: SERV; MFG; DSP CONTROLLER 200-240; LED

ARCTIC SILVER T9	T9-0XXX-04
Line-Cords & Line-Cord Options	S/N TTX100000 and up

MODEL #	MODEL DESCRIPTION	STANDARD LINE-CORDS
T9-0100-04	T9i ENG/ENG 120/60 DOM	AK60-00177-0000 PLATE-ASSY W/LINECORD: MFG; DOM.C
T9-0101-04	T9i ENG+MET 230/50 CON	0017-00003-0696 LINE-CORD: R/A; CEE7; 103" 10A 250V D
T9-0102-04	T9i ENG+MET 240/50 UK	0017-00003-0890 LINE-CORD: U.K; R/A
T9-0104-04	T9i ENG+MET 240V+ AUS	0017-00003-0996 LINE-CORD: IEC; AUSTRALIAN; 230/50 C

OPTIONAL LINE-CORDS		
0017-00003-0985	LINE-CORD ASSY: NEMA 5-15 120V 12' C	12'
0017-00003-0981	LINE-CORD: R/A; W/PLUG 220/60	7.5'
0017-00003-0948	LINE-CORD: 220V; 15A;	12'

ARCTIC SILVER T9**T9-0XXX-04**

Cables for Units Between 0100 - 0104

S/N TTX100000 and up

PART NUMBER	PART DESCRIPTION	T9-XXXX-04			
		0100 120/60 DOM	0101 230/50 CON	0102 240/50 UK	0104 240V+ CON
0017-00003-0626	CIRCUIT-BREAKER: 2A S/C#18-D		X	X	
0017-00003-0671	CLIP: MTG; CIRCUIT-BREAKER B		X	X	
0017-00003-0898	FILTER: LINE; 10-AMP 4-SHT C		X	X	X
AK26-00346-0002	CBL-ASSY: JMPR;OUTLET/SW/BLK S/C-B	X	X	X	X
AK26-00347-0002	CBL-ASSY: JMPR;OUTLET/SW/WHT S/C-B	X	X	X	X
AK58-00027-0000	CBL-ASSY: ZERO-SWITCH C	X	X	X	X
AK58-00032-0000	CBL-ASSY: USER SENSE PROX. C <i>"For AZ"</i>	X	X	X	X
AK58-00034-0001	CBL-ASSY: CONSOLE; PWR; UPR C	X	X	X	X
AK58-00036-0000	CBL-ASSY: EMERGENCY-STOP C	X	X	X	X
AK58-00041-0001	CBL-ASSY: H/R SENSORS C	X	X	X	X
AK58-00081-0000	CBL-ASSY: JUMPER; BLK; 4" B		X	X	X
AK58-00082-0000	CBL-ASSY: JUMPER; WHT; 6" B		X	X	X
AK58-00083-0000	CBL-ASSY: JUMPER; GR/YL; 5" B		X	X	X
AK58-00210-0000	XFRMR-BRKT ASSY: MFG. C		X	X	X
AK58-00224-0001	CBL-ASSY: MOV; FILTER C	X	X	X	X
AK58-00237-0000	CBL-ASSY: POLAR/E-STOP C	X	X	X	X
AK58-00263-0000	CBL-ASSY: HI-POT JUMPER B	X	X	X	X
AK58-00522-0000	CBL-ASSY: JUMPER; POWER; LED-CONS B	X	X	X	X
AK60-00180-0000	CBL-ASSY: POWER; T9; 120V C	X			
AK60-00181-0000	CBL-ASSY: POWER; T9; 31" 200-240V S/C-C		X	X	X